

D2000+ Curve LED downlight

Datasheet

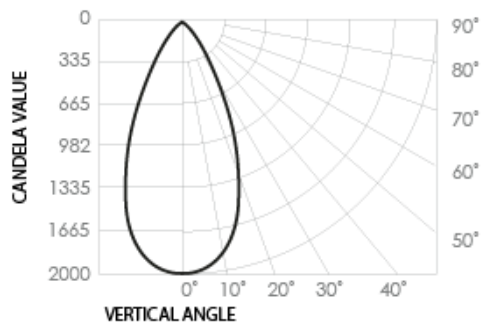


Product codes

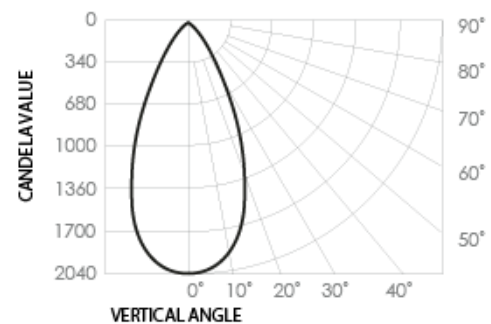
Unit:	Series:	Colour temp.:	Beam angle (°):	Colour:
D2000+	CR	2.7K	24	B (Black)
		3K	38	W (White)
		4K	45	
		5K	55	

Photometrics

Standard Products

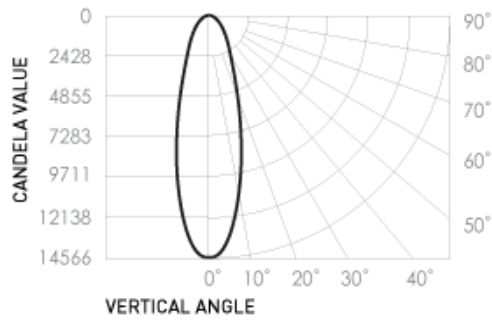


Source lumen output: 2100lm
 Delivered lumen: 2000lm
 Efficacy: 80lm/W
 Colour temp.: 3000K
 Beam angle: 55°

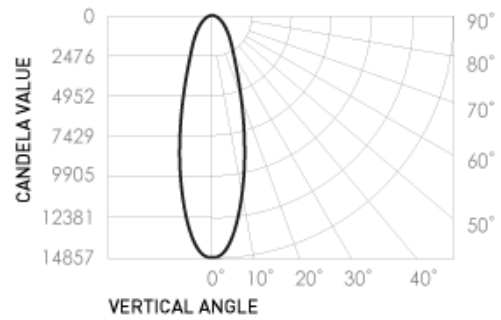


Source lumen output: 2140lm
 Delivered lumen: 2040lm
 Efficacy: 82lm/W
 Colour temp.: 4000K
 Beam angle: 55°

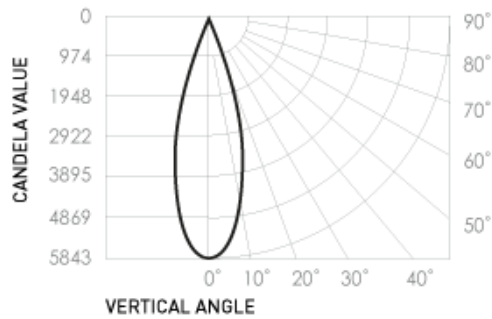
Special Order Products



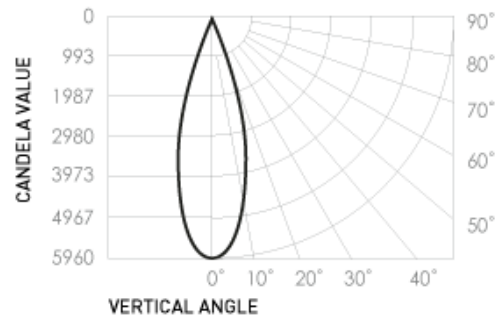
Source lumen output: 2100lm
 Delivered lumen: 2000lm
 Efficacy: 80lm/W
 Colour temp.: 3000K
 Beam angle: 24 (Special Order)°



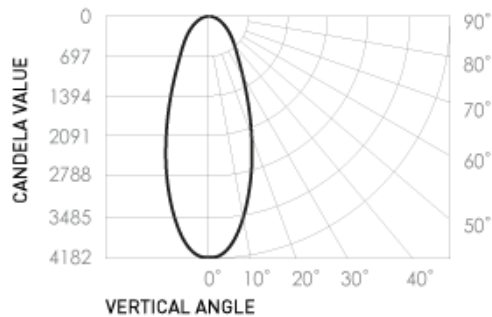
Source lumen output: 2140lm
 Delivered lumen: 2040lm
 Efficacy: 82lm/W
 Colour temp.: 4000K
 Beam angle: 24 (Special Order)°



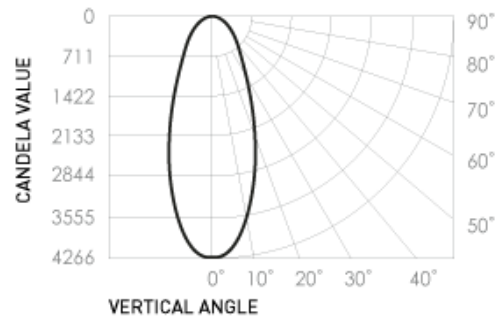
Source lumen output: 2100lm
 Delivered lumen: 2000lm
 Efficacy: 80lm/W
 Colour temp.: 3000K
 Beam angle: 38 (Special Order)°



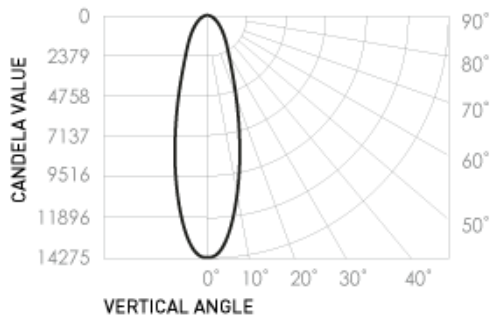
Source lumen output: 2140lm
 Delivered lumen: 2040lm
 Efficacy: 82lm/W
 Colour temp.: 4000K
 Beam angle: 38 (Special Order)°



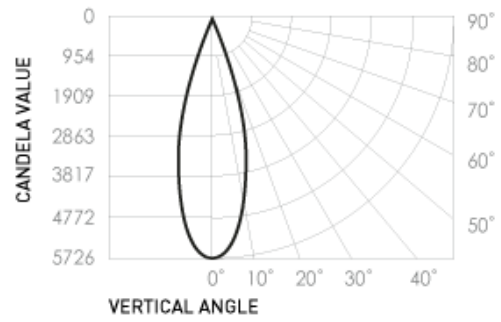
Source lumen output: 2100lm
 Delivered lumen: 2000lm
 Efficacy: 80lm/W
 Colour temp.: 3000K
 Beam angle: 45°



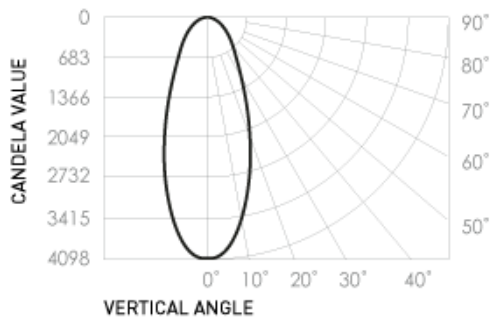
Source lumen output: 2140lm
 Delivered lumen: 2040lm
 Efficacy: 82lm/W
 Colour temp.: 4000K
 Beam angle: 45°



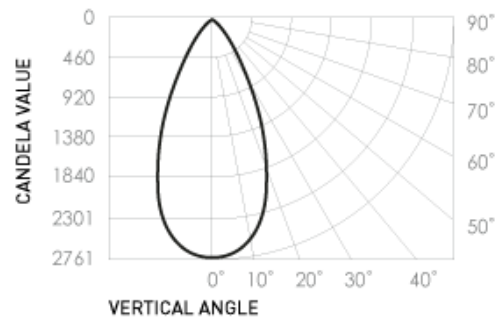
Source lumen output: 2055lm
 Delivered lumen: 1960lm
 Efficacy: 78lm/W
 Colour temp.: 2700K (Special Order)
 Beam angle: 24 (Special Order)°



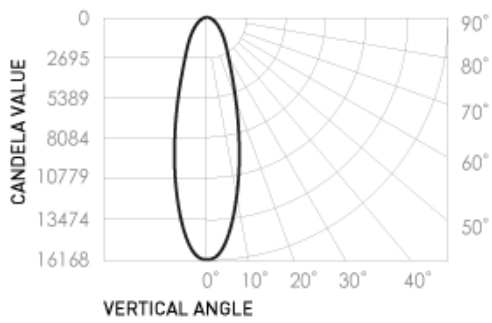
Source lumen output: 2055lm
 Delivered lumen: 1960lm
 Efficacy: 78lm/W
 Colour temp.: 2700K (Special Order)
 Beam angle: 38 (Special Order)°



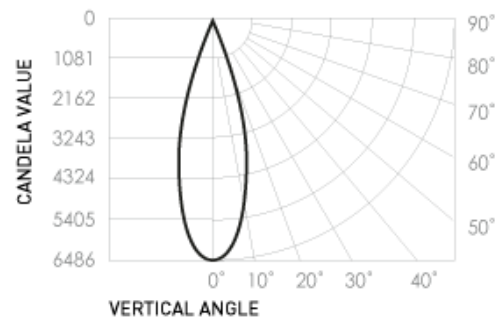
Source lumen output: 2055lm
 Delivered lumen: 1960lm
 Efficacy: 78lm/W
 Colour temp.: 2700K (Special Order)
 Beam angle: 45°



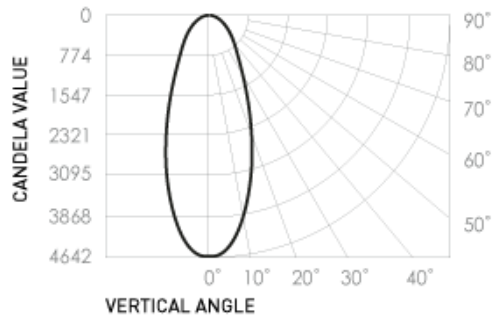
Source lumen output: 2055lm
 Delivered lumen: 1960lm
 Efficacy: 78lm/W
 Colour temp.: 2700K (Special Order)
 Beam angle: 55°



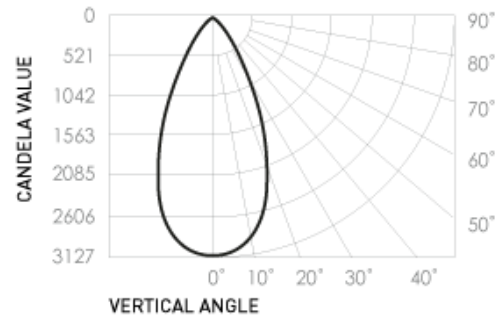
Source lumen output: 2330lm
 Delivered lumen: 2220lm
 Efficacy: 89lm/W
 Colour temp.: 5000K (Special Order)
 Beam angle: 24 (Special Order)°



Source lumen output: 2330lm
 Delivered lumen: 2220lm
 Efficacy: 89lm/W
 Colour temp.: 5000K (Special Order)
 Beam angle: 38 (Special Order)°



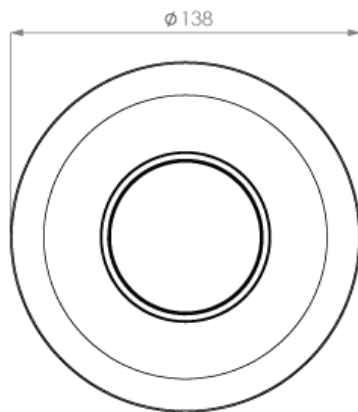
Source lumen output: 2330lm
 Delivered lumen: 2220lm
 Efficacy: 89lm/W
 Colour temp.: 5000K (Special Order)
 Beam angle: 45°



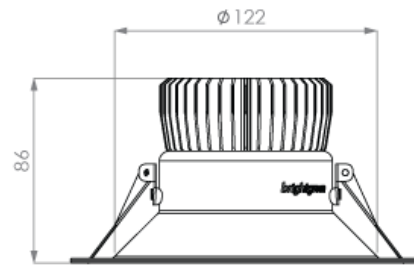
Source lumen output: 2330lm
 Delivered lumen: 2220lm
 Efficacy: 89lm/W
 Colour temp.: 5000K (Special Order)
 Beam angle: 55°

Dimensions (mm)

Front view



Side view



Electrical

Input voltage: 220-240V	Power usage: 25W	Driver power factor: 0.9	IP rating: IP44	Surge protection: Yes
AC Cable length: 1.2m	Dimmable: Yes	Driver: BG-024ASD-600mA; BG-024DALI-CC-ROUND	DC Cable Length: 0.3m	

Operational

Average temp.: 65°C	Ambient temp.: -28 to 60°C	Lifetime L70, B10: 70,000 hrs (@TA25)	Thermal rating: IC-4	Source Lumens: 2100lm or 2140lm or 2055lm or 2330lm
-------------------------------	--------------------------------------	---	--------------------------------	---

Physical

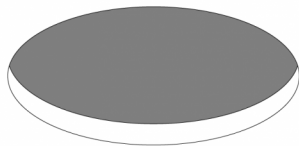
Warranty:
7 years

Compatibility

Recommended Dimmers:
Compatible with leading home automation systems and dimmers.
Recommended Dimmers:
Universal, Trailing Edge, Leading Edge.

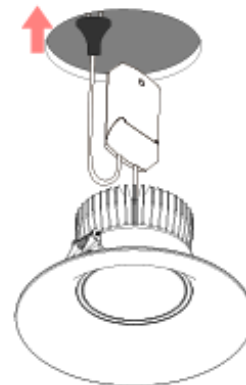
*For more details please refer to:
<https://brightgreen.com/digital-driver>
All systems are unique, please call 1300 672 499 for advice on your installation

Installation



Step 1

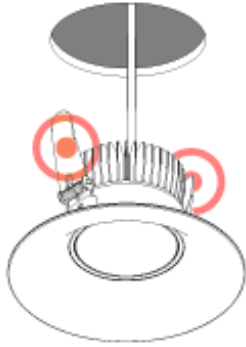
Using a 127mm hole saw, cut a hole in the ceiling at the desired location.



Step 2

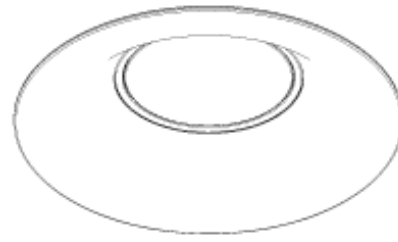
Plug the driver into a mounted general power outlet (GPO) in the ceiling.

Installation



Step 3

Pull back the springs and insert the luminaire into the ceiling cavity. This luminaire can be covered and abutted with insulation.



Step 4

Installation complete.