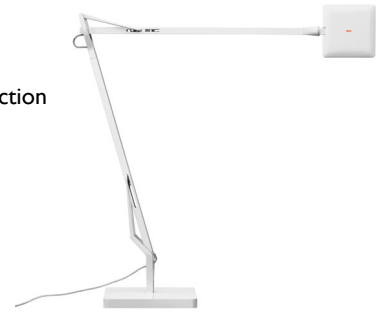


# FLOS

## KELVIN EDGE BASE

<b>Mounting</b>	Table
<b>Lamps description</b>	EDGE LIGHTING 2700/3200K 300lm CRI90 7W - Dimmer K selection
<b>Environment</b>	Indoor
<b>Finish</b>	White, Chrome, Black, Titanium
<b>Technical description</b>	Adjustable table lamp providing direct light. Aluminium painted or chromed body, with die cast head, joints and forks, and extruded arms. Diffuser in photoengraved polycarbonate and aluminate on the perimeter. Edge Lighting technology light source. Optical switch sensor placed on the head that provide 3-step dimming function and color temperature adjustment at 2700K or 3200K. Power cord length 150 cm. Plug-in power supply with interchangeable plugs.



### Kelvin Edge Base

designed by Antonio Citterio

Adjustable table lamp providing direct light.

## ELECTRICAL

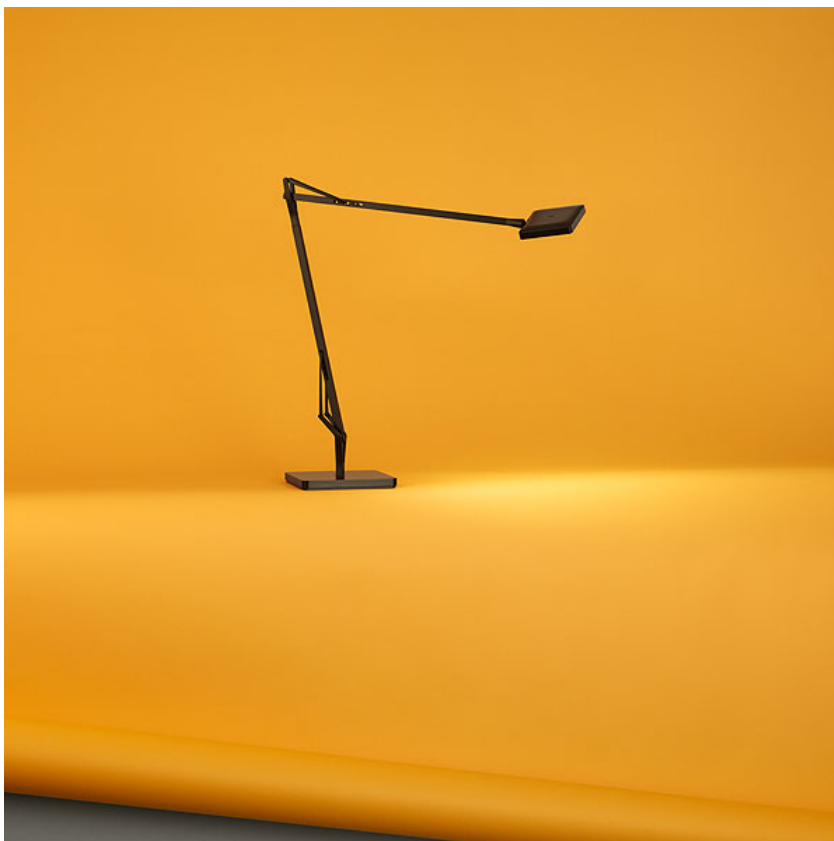
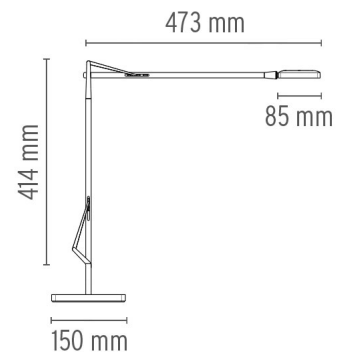
<b>Emergency</b>	Without
<b>Switching</b>	Optical switch sensor placed on the head

● F3452009	White
● F3452030	Black
● F3452033	Titanium
● F3452057	Chrome

## PHYSICAL

<b>Supply</b>	Power cord
<b>Construction material</b>	Aluminum
<b>Weight (kg)</b>	3

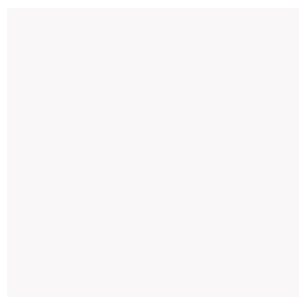
## DIMENSIONS



## CERTIFICATIONS



## Kelvin Edge Base . Lamps



**EDGE LIGHTING**  
2700/3200K 300lm CRI90  
7W  
**Lamp wattage:**  
7 W

**Lamp category:**  
LED

**Socket:**  
Special base

**Color temperature (K):**  
2700/3200 °K

**Lamp type:**  
LED



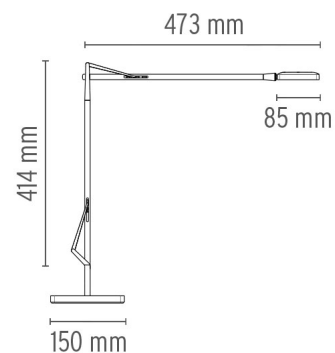
### Kelvin Edge Base

designed by Antonio Citterio

Adjustable table lamp providing direct light.

- F3452009 White
- F3452030 Black
- F3452033 Titanium
- F3452057 Chrome

### DIMENSIONS



### CERTIFICATIONS

