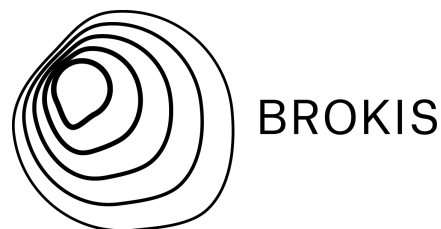

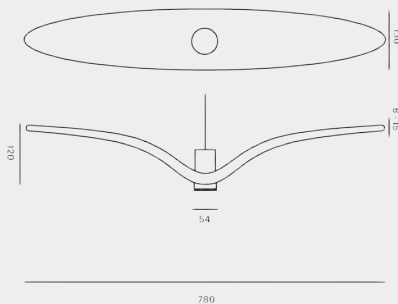


PRODUCT LIST



IDENTIFICATION

	PRODUCT NO. PC962
	NAME NIGHT BIRDS PENDANT D780 H2200
	TYPE PENDENT LAMP
	COLLECTION NIGHT BIRDS
	LINE EXCLUSIVE LINE
DESIGNED BY BORIS KLIMEK	
DIMENSIONS (MM) 780 X 2200 X 120 X 54	



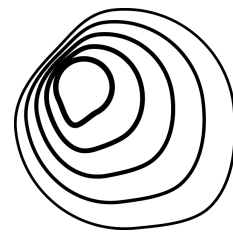
CHARACTERISTIC

FEATURES

...LIKE THE SILHOUETTE OF BIRDS IN THE EVENING SKY. INSPIRED BY THE GRACE AND FREEDOM OF BIRD FLIGHT, THE ORIGINAL NIGHT BIRDS CEILING LIGHTS BESTOW A POETIC CHARM AND UNPRECEDENTED DYNAMISM TO YOUR INTERIOR. THE LIGHTS DO NOT MERELY HANG IN SPACE – THEY FLY. THEY PROVIDE YOU WITH THE FREEDOM OF FLIGHT IN CREATING VARIABLE COMPOSITIONS RANGING FROM SEVERAL INDIVIDUAL LIGHTS TO ENTIRE FLOCKS OF BIRDS. THE GLASS SHADES, FORMED TO DEPICT WINGS IN VARIOUS PHASES OF FLIGHT, TOGETHER WITH THE PLEASANT, GENTLE LED ILLUMINATION, BRING THE AMBIENCE OF YOUR FAVORITE SPACE TO PERFECTION.

TECHNOLOGY

THE TECHNOLOGIES APPLIED IN THE NIGHT BIRDS COLLECTION ARE BASED ON THE PRINCIPLES OF RECYCLING, SUSTAINABILITY, AND ECO-FRIENDLY PRODUCTION. THE BASE MATERIAL USED IN MAKING THE LIGHTS IS THE WASTE GLASS GENERATED IN THE PRODUCTION OF OTHER BROKIS COLLECTIONS. THE RECYCLED GLASS MATERIAL IS SUBJECTED TO SEVERAL STAGES OF PROCESSING COMBINING TRADITIONAL GLASSMAKING TECHNIQUES (HAND GRINDING, SANDBLASTING) WITH MODERN ONES (MELT MOLDING, WATERJET CUTTING, MOLD SHAPING) AND RESULTING IN A UNIQUE PRODUCT THAT EMBODIES BOTH TRADITION AND MODERNITY. EACH PIECE IS AN UNREPEATABLE ORIGINAL WITH ITS OWN STORY. AT THE CENTER OF THE NIGHT BIRDS LIGHTS IS AN ADJUSTABLE, HAND-LATHED ALUMINUM BODY THAT SERVES TO HOUSE THE LIGHT SOURCE.

**BROKIS**

PRODUCT LIST

PRODUCT CLASSIFICATION

NIGHT BIRDS	PENDANT		PC962
COLOUR	BAS	OPAL - OPAQUE GLASS - MASSIF	CGC772 °
COLOUR	BAS	SMOKE GREY - MASSIF	CGC882 °
GLASS	BAS	SLUMPING GLASS - LOW	CGG804
CONSTRUCTION SURFACE	ALL	ALLUMINIUM	CCS775
CANOPY SURFACE	ALL	ALLUMINIUM	CCSC843
BULBS	ALL	GU10 5W 110V 2700K 400LM RA90 DIM	CEB759
BULBS	ALL	BULB - GU10 SILVER EU - 5W DIM - 220-240V	CEB825
CABLE COLOUR	ALL	TEXTILE CORD - BLACK	CECL519 °
CABLE COLOUR	ALL	TEXTILE CORD - BLACK US	CECL834
CABLE COLOUR	ALL	TRANSPARENT CORD	CECL149 °
CABLE COLOUR	EXT	TEXTILE CORD - BLACK / SURCHARGE PER 1 M	CECL704
CABLE COLOUR	EXT	TEXTILE CORD - BLACK US / SURCHARGE PER 1 M	CECL872
CABLE COLOUR	EXT	TRANSPARENT CORD / SURCHARGE PER 1 M	CECL883
CERTIFICATION	ALL	CE	CEC160
CERTIFICATION	ALL	ČSN EN 60598-1	CEC567
CERTIFICATION	ALL	ČSN EN 60598-2-1	CEC568

