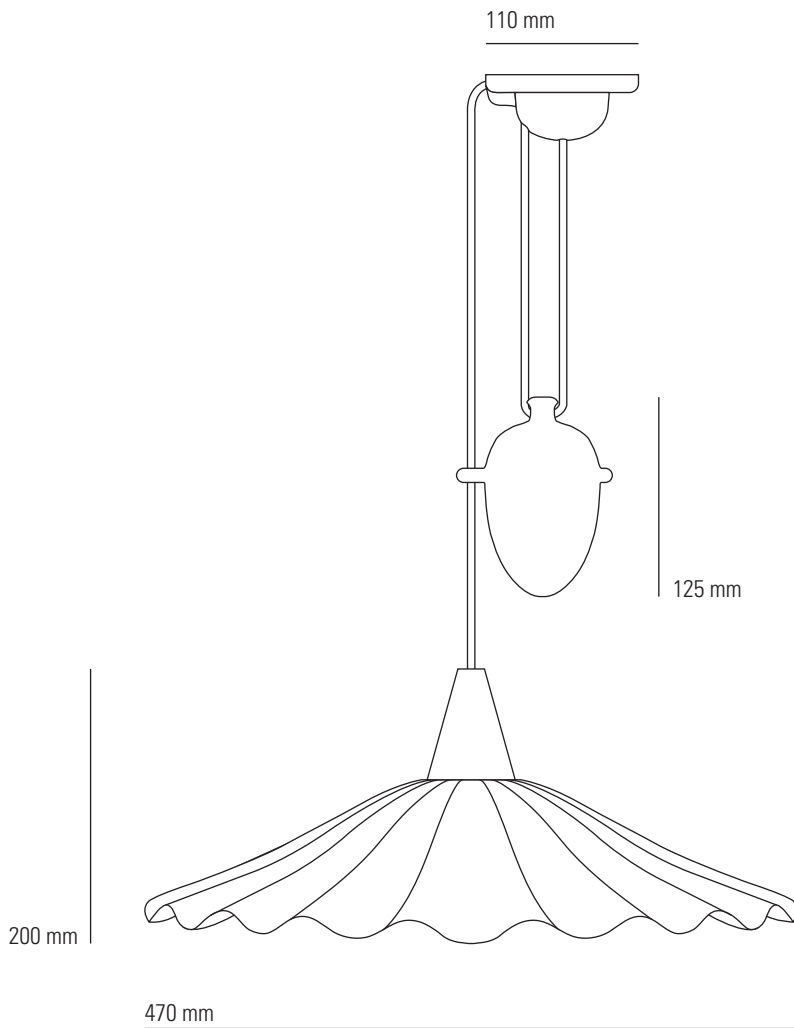


CHRISTIE

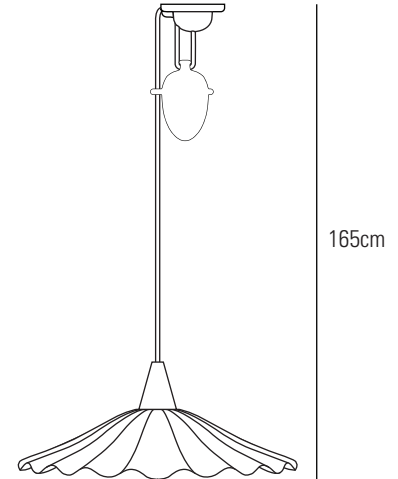
RISE & FALL PENDANT

SPECIFICATION	Finish	Product Code	Bulb Cap	Max Wattage	Bulb Type
Christie pedant	Bone china	FW 575 N	E 27	60	GLS

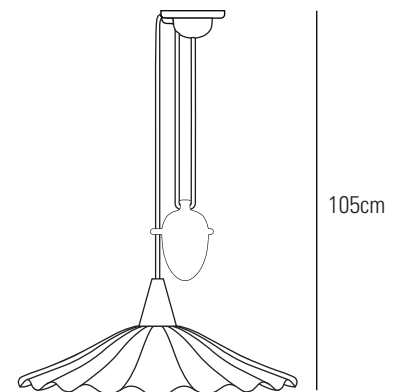


Cable length may be shortened upon installation. This will reduce both maximum & minimum drop and reduce the range of movement.

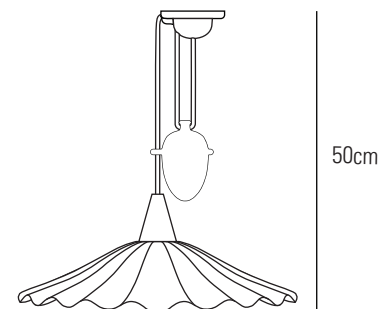
Maximum Drop
- without altering length of standard cable



Minimum Drop
- without altering length of standard cable



Minimum Drop
- when shortening length of standard cable while still allowing rise & fall movement



This product is available for specific markets. CFL compatible.
Cable length: 180cm, Longer lengths available. Cable length may be shortened upon installation.

