

FLOS

ROMEO BABEW

Mounting	Wall
Lamps description	1 x MAX 33W G9 HSGS
Environment	Indoor
Finish	Glass
Technical description	Wall sconce providing diffused lighting. Acid-etched pressed borosilicate glass internal diffuser. Pressed clear glass shade. Gray painted die-cast aluminum diffuser and lamp support. Gray painted, injection-molded polycarbonate wall fitting and rose.



ELECTRICAL

Emergency	Without
Voltage (V)	230

PHYSICAL

Supply	Terminal block
Construction material	Aluminum, Glass, Polycarbonate
Weight (kg)	0.5
Minimum distance from illuminated object (mm)	500

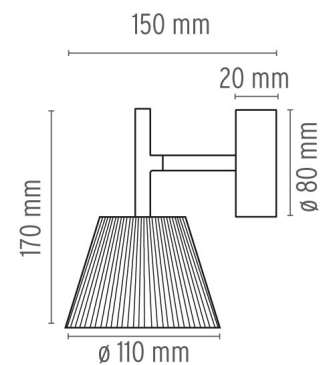
Romeo Babe W

designed by Philippe Starck

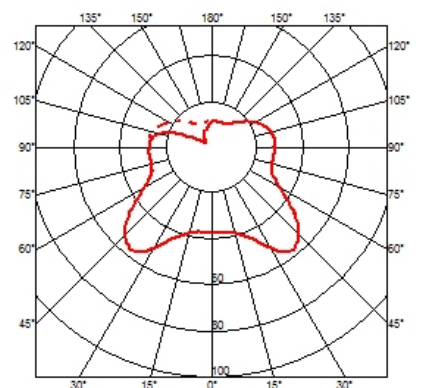
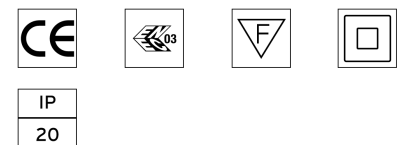
Wall sconce providing diffused lighting.

F6260000A Glass

DIMENSIONS



CERTIFICATIONS



Romeo Babe W . Lamps



HSGS 33W G9

Lamp Watt:	33 W
Lamp category:	Halogen mains
Socket:	G9
Lamp type:	HSGS