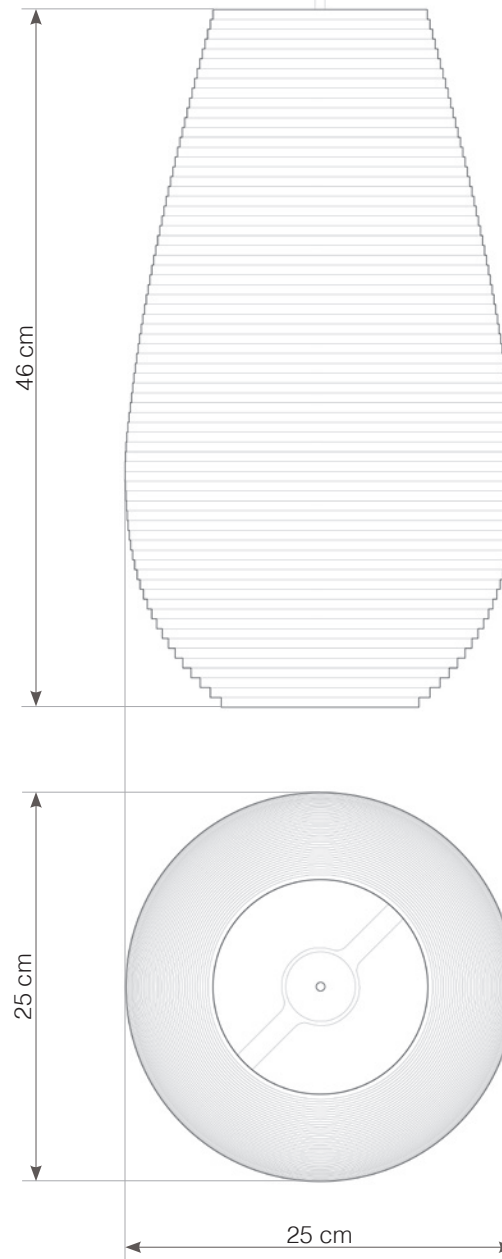




+31 (0)20 820 8990 | amsterdam@graypants.com | graypants.com
westerstraat 187, 1015MA amsterdam, the netherlands



hardwired cord set + ceiling canopy

INCLUDES A TWO-METER BLACK FABRIC CORD AND A BLACK POWDER COATED STEEL CANOPY. FIVE-METER CORDS ARE AVAILABLE FOR AN ADDITIONAL CHARGE.

DROP_18



1x 60W maximum incandescent
E27 socket | 230V 50Hz | Class II

For use with dimmable incandescent bulbs. Also compatible with CFL bulbs or dimmable LED bulbs of equivalent wattage.

Mounting Installation: Suspended



recycled cardboard



responsibly made in holland



proudly designed in seattle | usa



responsible handmade quality



nontoxic fire retardant treated



compressed air recommended cleaning



use in dry location only



designed to recycle



SCRAPLIGHTS™
responsibly reimagining cardboard boxes

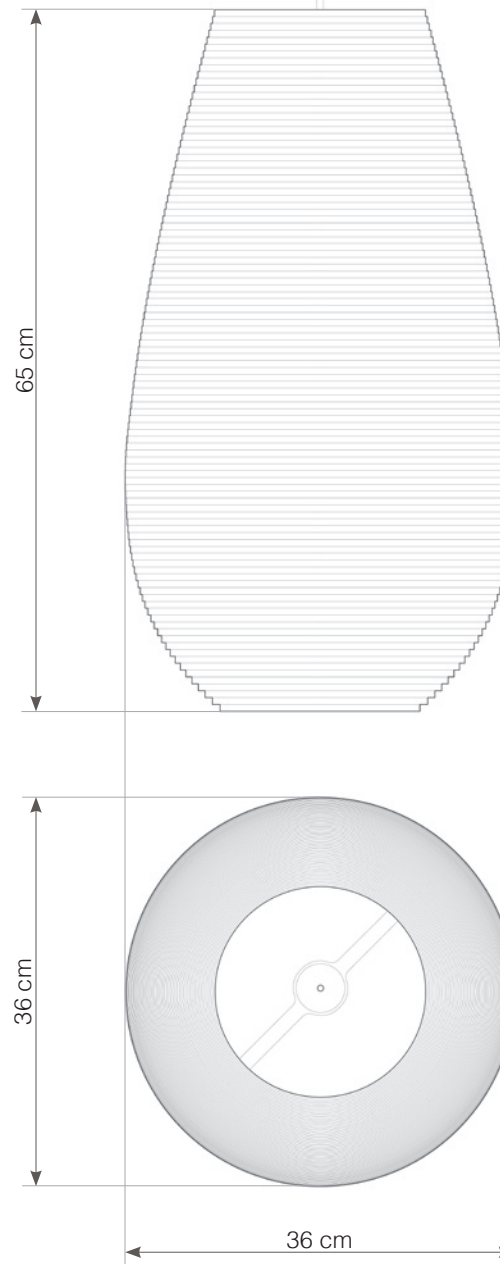


+31 (0)20 820 8990 | amsterdam@graypants.com | graypants.com
westerstraat 187, 1015MA amsterdam, the netherlands



hardwired cord set + ceiling canopy

INCLUDES A TWO-METER BLACK FABRIC CORD AND A BLACK POWDER COATED STEEL CANOPY. FIVE-METER CORDS ARE AVAILABLE FOR AN ADDITIONAL CHARGE.



DROP_26



1x 60W maximum incandescent
E27 socket | 230V 50Hz | Class II

For use with dimmable incandescent bulbs. Also compatible with CFL bulbs or dimmable LED bulbs of equivalent wattage.

Mounting Installation: Suspended



recycled cardboard



responsibly made in holland



proudly designed in seattle | usa



responsible handmade quality



nontoxic fire retardant treated



compressed air recommended cleaning



use in dry location only



designed to recycle



Scraplight shades are non-toxic and are handmade using responsible, low-impact practices. Because all Scraplights are handmade, dimensions may vary slightly. This luminaire is compatible with bulbs of the energy classes A++, A+, A, B, C, D & E (EU No 874/2012).